

TECHNICAL CHARACTERISTICS

AGUMI

# Gumi

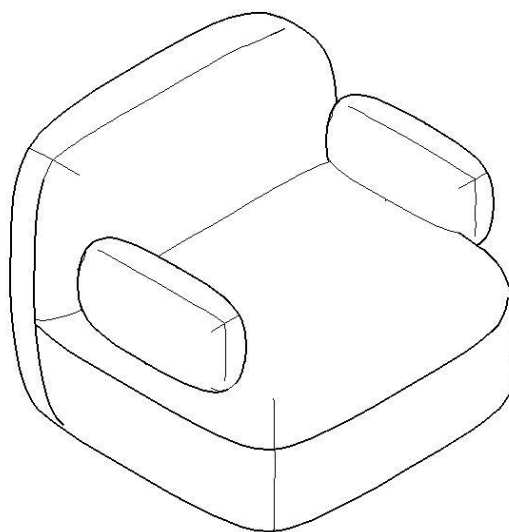
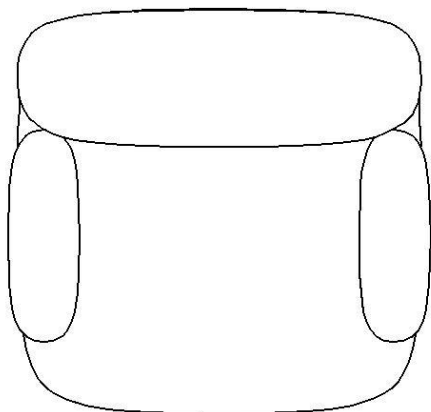
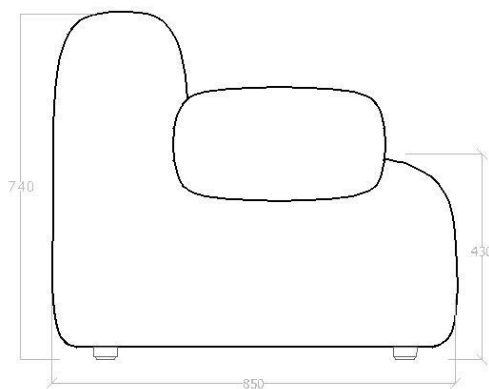
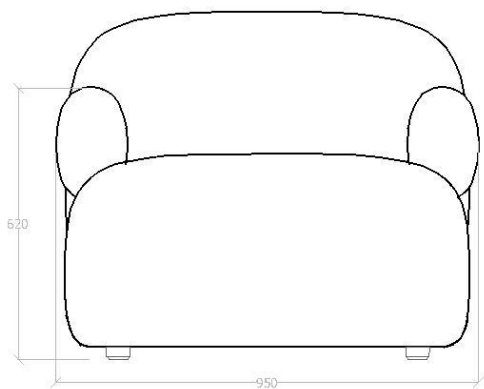
## **Gumi Armchair**

With soft, rounded shapes, similar to those of a "gummy bear", this design stems from the quest for a cosy and comfortable piece, essential for humanising architectural spaces. Gumi Armchair is part of a collection consisting of various types of pieces that allow for endless configuration possibilities.

DESIGNED BY MADE STUDIO



**ondarreta**



### DIMENSIONS

95 cm x 85 cm x 43 cm x 62 cm x 74 cm

37.4" x 33.46" x 16.93" x 24.41" x 29.13". [width x depth x height x seat height]

### WEIGHT

20 kg (44.09 lbs)

### PACKAGING

One piece per box. Box dimensions: 90 cm x 100 cm x 76 cm (35.43" x 39.37" x 29.92")

### CERTIFICATION

Designed in accordance with the Ecodesign standard UNE-EN ISO 14006:2011.

### ACCESORIES

Castors

Cushion

Linking Piece



### ORIGIN

100% Made in Europe

### DESIGN

Made Studio

### COMPONENTS

#### STRUCTURE

Structure made of machined and welded extruded rectangular aluminium tubing as required. Includes adjustable height pads.



#### SEAT & BACKREST

Flexible polyurethane foam covered with a removable fabric cover secured with Velcro.

#### FINISH

Removable upholstery.

#### UPHOLSTERY REQUIREMENT

Seat, backrest, and arms: 450 cm.

For COM fabrics, feasibility testing will be required.

