

IMAGE



DESCRIPTION

Ceiling lamp with diffuser disk in glossy methacrylate. Thanks to the mechanism of vertical and horizontal rotation it allows the creation of attractive graphic games through shapes as well as soft and indirect light. With a rigorous and elegant personality in its essence.

GENERAL SPECIFICATIONS

Installation	Ceiling
Ambient	Indoor
IP	20

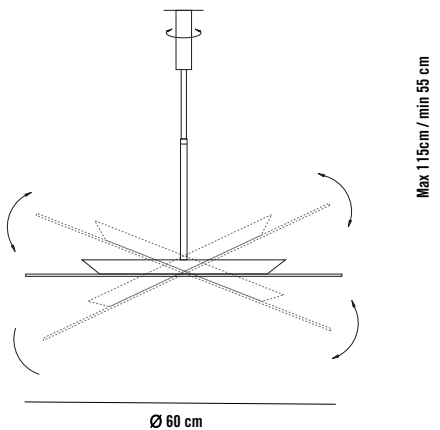
MATERIALS

Body	Steel
Diffuser	Acrylic PMMA

FINISHES

Steel	White, Gold Plated, Black Chrome, Brass
Acrylic PMMA	Satinice

GENERAL DIMENSIONS



ELECTRICAL CHARACTERISTICS

Safety class	Class I
Light source	LED
LED type	Integrated LED
Rated input wattage	26W
Luminous flux	2631lm
Colour Temperature	2700K
AC Voltage	220-240
Frequency	50-60Hz
Operating current	114mA
CRI	90

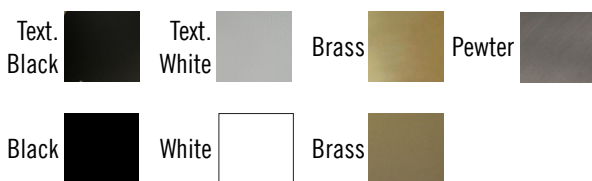
Dimmer *(Subject to dimmable light bulb*)*

TRIAC *(phase cut)*
DALI on request

**Light bulb not included*



FINISHES



DIMENSIONS AND PACKAGING

Body	60x55-115cm
Cable length	2m
Net weight	4.5kg
Box dimension	80x80x30cm
Box volume	0.192m ³
Box weight	10.95kg

MAINTENANCE

Clean with a smooth cloth. Do not use ammonia, solvents or abrasive cleaning products.

IMAGE



DESCRIPTION

Ceiling lamp with diffuser disk in glossy methacrylate. Thanks to the mechanism of vertical and horizontal rotation it allows the creation of attractive graphic games through shapes as well as soft and indirect light. With a rigorous and elegant personality in its essence.

GENERAL SPECIFICATIONS

Installation	Ceiling
Ambient	Indoor
IP	20

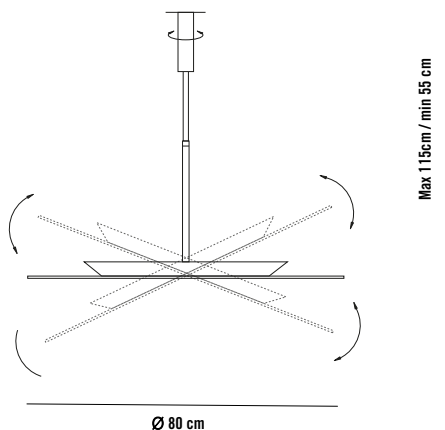
MATERIALS

Body	Steel
Diffuser	Acrylic PMMA

FINISHES

Steel	White, Gold Plated, Black Chrome, Brass
Acrylic PMMA	Satinice

GENERAL DIMENSIONS



ELECTRICAL CHARACTERISTICS

Safety class	Class I
Light source	LED
LED type	Integrated LED
Rated input wattage	26W
Luminous flux	2631lm
Colour Temperature	2700K
AC Voltage	220-240
Frequency	50-60Hz
Operating current	114mA
CRI	90

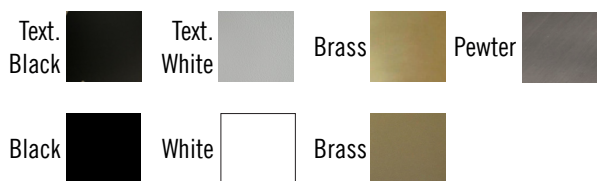
Dimmer *(Subject to dimmable light bulb*)*

TRIAC *(phase cut)*
DALI on request

**Light bulb not included*



FINISHES



DIMENSIONS AND PACKAGING

Body	80x55-115cm
Cable length	2m
Net weight	5.35kg
Box dimension	90x90x20cm
Box volume	0.162m ³
Box weight	12.45kg

MAINTENANCE

Clean with a smooth cloth. Do not use ammonia, solvents or abrasive cleaning products.